

61 Cam Latch

Universal cabinet series · Adjustable grip

Features

- Single hole installation
- Accommodates wide grip ranges

Notes

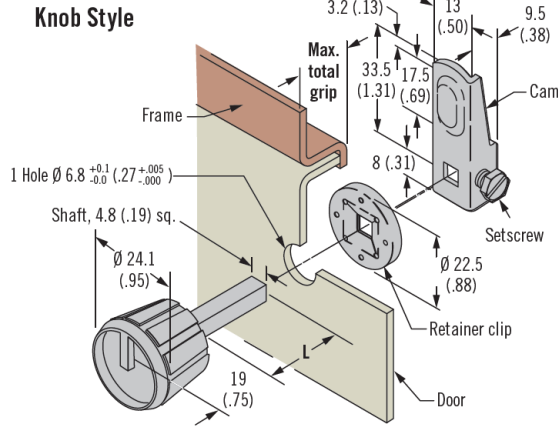
- Knob style shown. Additional L-handle and flush slotted styles available

Material

- Nylon and steel, zinc plated

Product Performance

- Maximum static load: 110 N



Maximum Total Grip	Shaft Length L	Assembly Part number
12.5 (.50)	25.5 (1.00)	61-10-102-11
25 (1.00)	38 (1.50)	61-10-104-11
44.5 (1.75)	57 (2.25)	61-10-107-11

69 Cam Latch

Arrowhead · Detent design · Adjustable grip

Features

- Arrow indicates cam orientation
- Single hole installation
- Detented design
- Adjustable grip

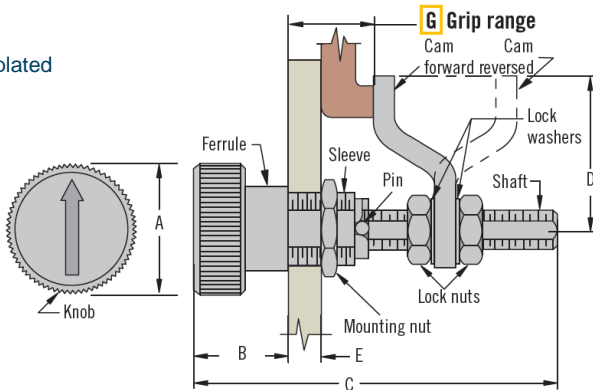
Product Performance

- Small size working load: 44 N
- Medium size working load: 220 N
- Large size working load: 330 N



Material

- Nylon and steel, zinc plated



Size	Part Number	G Grip Range		A	B	C	D	E
		Minimum	Maximum					
Small	69-10-301-11	4 (.16)	28.2 (1.11)	12.7 (.50)	12.7 (.50) Max.	38.1 (1.50)	13.5 (.53)	4.75 (.188)
Medium	69-10-401-11	3.2 (.13)	33.3 (.13)	19.1 (.75)	17.5 (.69) Max.	47.5 (1.87)	15.9 (.63)	6.35 (.25)
Large	69-10-501-11	4.8 (.19)	61.9 (2.44)	28.6 (1.13)	25.4 (1) Max.	79.2 (3.12)	34.1 (1.34)	12.7 (.50)

southco®

We are proud to be Southco's authorized distributor of over 20 years